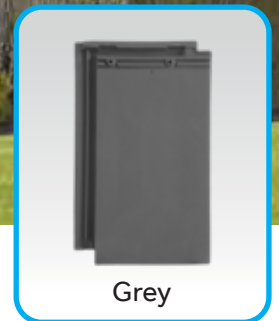


# Plana Imported Clay Tile



**BMI** **MONIER**

The innovative,  
contemporary roof tile

[www.monier.in](http://www.monier.in)

## Features

- Weatherproof and perfect finish
- Deep interlock for water tightness
- Contemporary design
- State-of-the-art manufacturing technology



## Technical Data

Width & Height	283 mm x 454 mm
Weight	~ 4.6 kg
Batten space	382 mm (max)
Tile / sqm	11 pcs
Min slope Reqmt	20 Degree

## Standard Colours



Grey



Brown

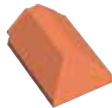


Blackish Grey

## Accessories



Ridge



Hip Starter



Universal Verge



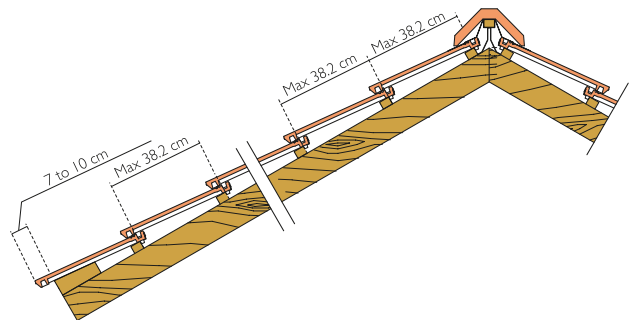
Ridge End



3 Way



Ventilation Tile



## Roof System Components for perfect finish, water-tightness and heat reflection



Compact Roll to ventilate ridges and hips



Wakaflex for waterproof abutments



Valley Metal Sheet for water orienteering



Veltisun RadenShield for waterproofing and heat reduction



Radiant Barrier for heat reduction

Visit our exclusive showroom and orientation center,  
 Monier Roofing Pvt Ltd.  
 143/C3, Bommasandra industrial area, 1st phase, Bangalore - 560099  
 Tel : 080 41658016 / 27, Mob: +91 90191 10303, +91 96866 63013  
 Email : contact.india@bmigroup.com, www.monier.in

Monier exclusive showroom at  
 Kochi : near Oberon mall, Bypass road, Kochi, Kerala.  
 Mob : +91 98477 93391, +91 98957 77355



- [www.facebook.com/monier.india](http://www.facebook.com/monier.india)
- [www.twitter.com/monierroofing](http://www.twitter.com/monierroofing)
- Chat @ 90191 10303

Authorized Roofing Partner